

SHEET NO : 03

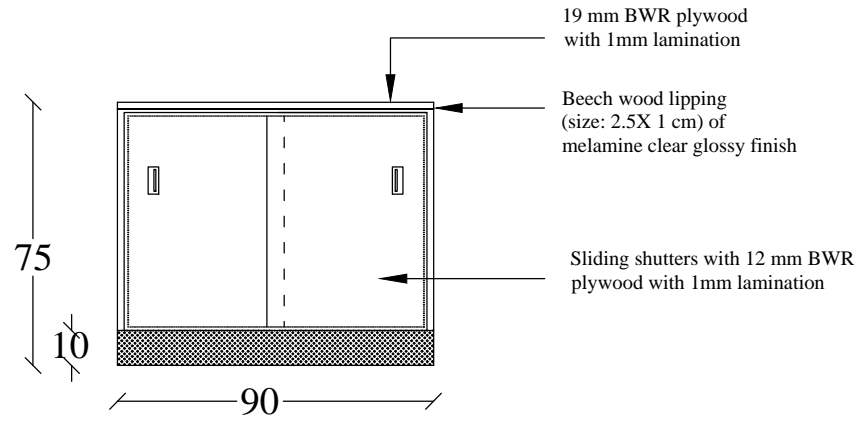
ALL DIMENSIONS ARE IN CMS
DO NOT MEASURE THIS DRAWING

CLIENT	UNITED INDIA INSURANCE
APPD. BY : A. DEY	DIVISIONAL OFFICE-PATNAMAMTHITA
DRAWN BY : JKC	DATE :09-03-2018
SCALE :SCALE TO FIT	REF. :
FURNITURE LAYOUT	

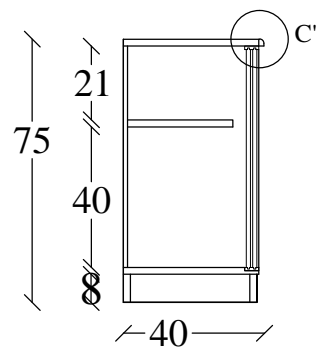
DELRH	KOLKATA	MUMBAI	KOCHI
-------	---------	--------	-------

DEAROH ARCHITECTS PRIVATE LIMITED
 XX-1 X/61/68 A, Poyyappa house, ravipattanam, Kochi - 682015
 PHONE : +91 4884 235899
 TELEFAX : +91 4884 2358949
 Email: dearohcochi@rediffmail.com

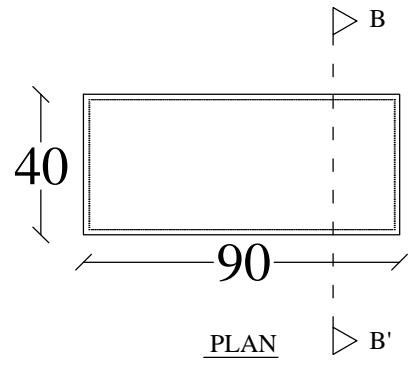
This is the property of DEAROH ARCHITECTS PRIVATE LTD and should be returned after execution. This must not be used by anyone without permission. Any queries in the drawing should be clarified prior to execution.



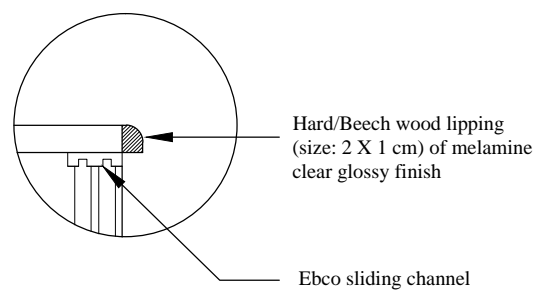
FRONT ELEVATION



SECTION - BB'



PLAN



DETAIL AT C'

	NEW MIKA AMPLE MAPLE -3056
	NEW MIKA SAPLE EXOTIC-3355

SIDE CREDENZA

NOTE:- (All inside portions to be painted with primer and 2 coats of enamel paint of approved colour.)